



MANUFACTURED
IN THE UK



ATLAS
DOORS

TECHNICAL GUIDE



Cobham



Richmond



Westminster



Kingston



Knightsbridge



Mayfair

Version: 1-0223

020 3856 8332

sales@atlasdoors.co.uk

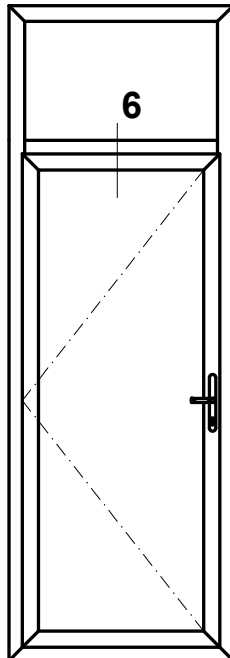
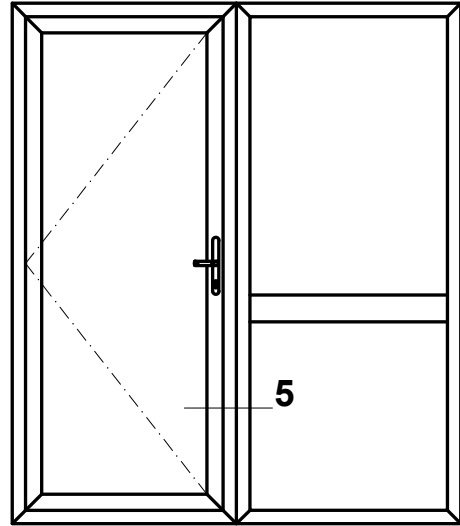
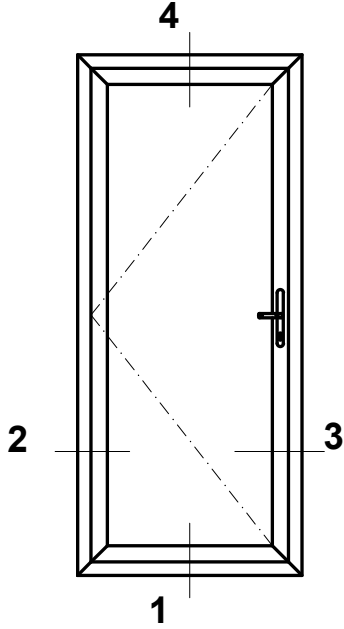
atlasdoors.co.uk



**MANUFACTURED
IN THE UK**



**ATLAS
DOORS**



Version: 1-0223

020 3856 8332

sales@atlasdoors.co.uk

atlasdoors.co.uk

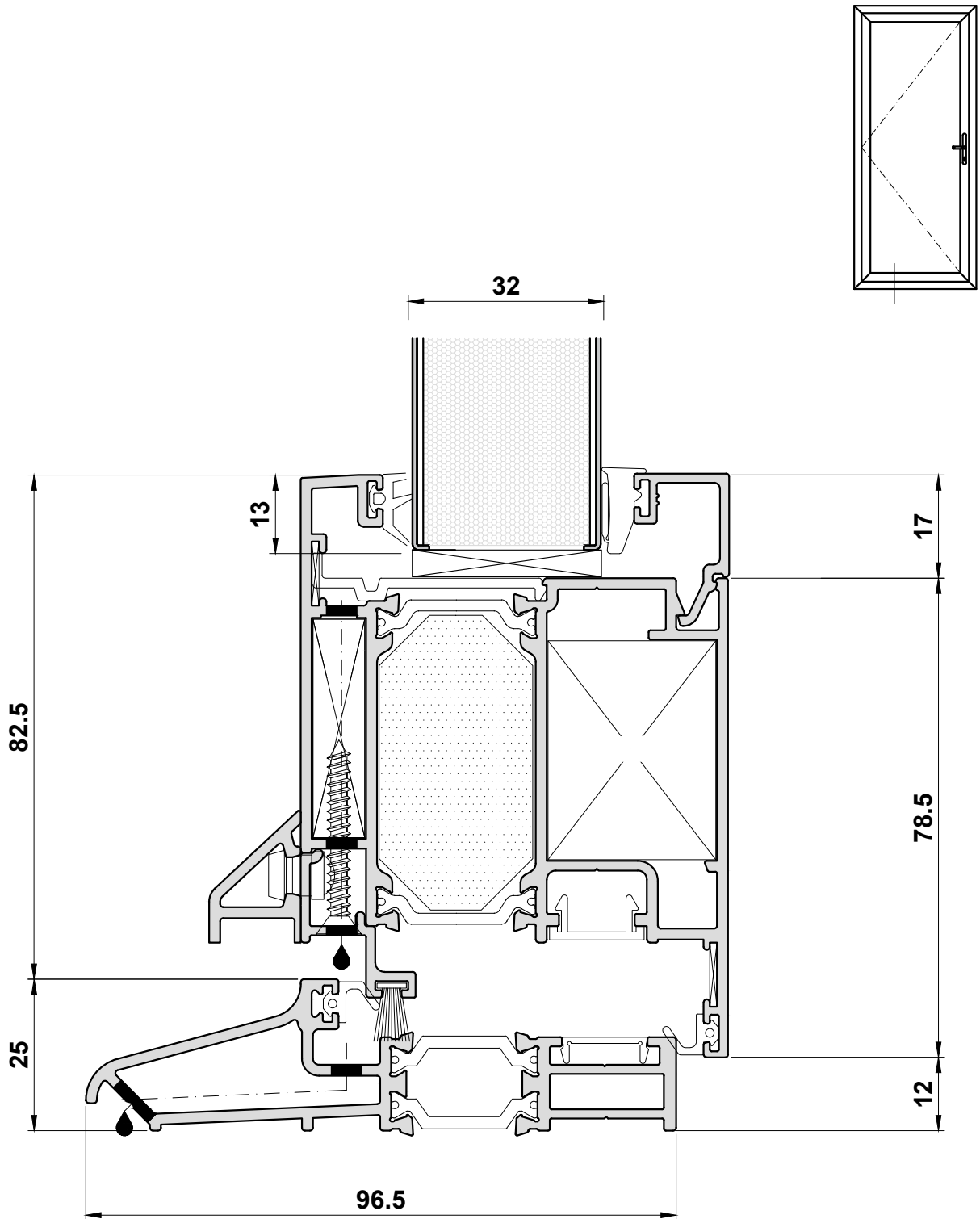


MANUFACTURED
IN THE UK



ATLAS
DOORS

Open In - Detail 1A - Low Threshold



Version: 1-0223

020 3856 8332

sales@atlasdoors.co.uk

atlasdoors.co.uk

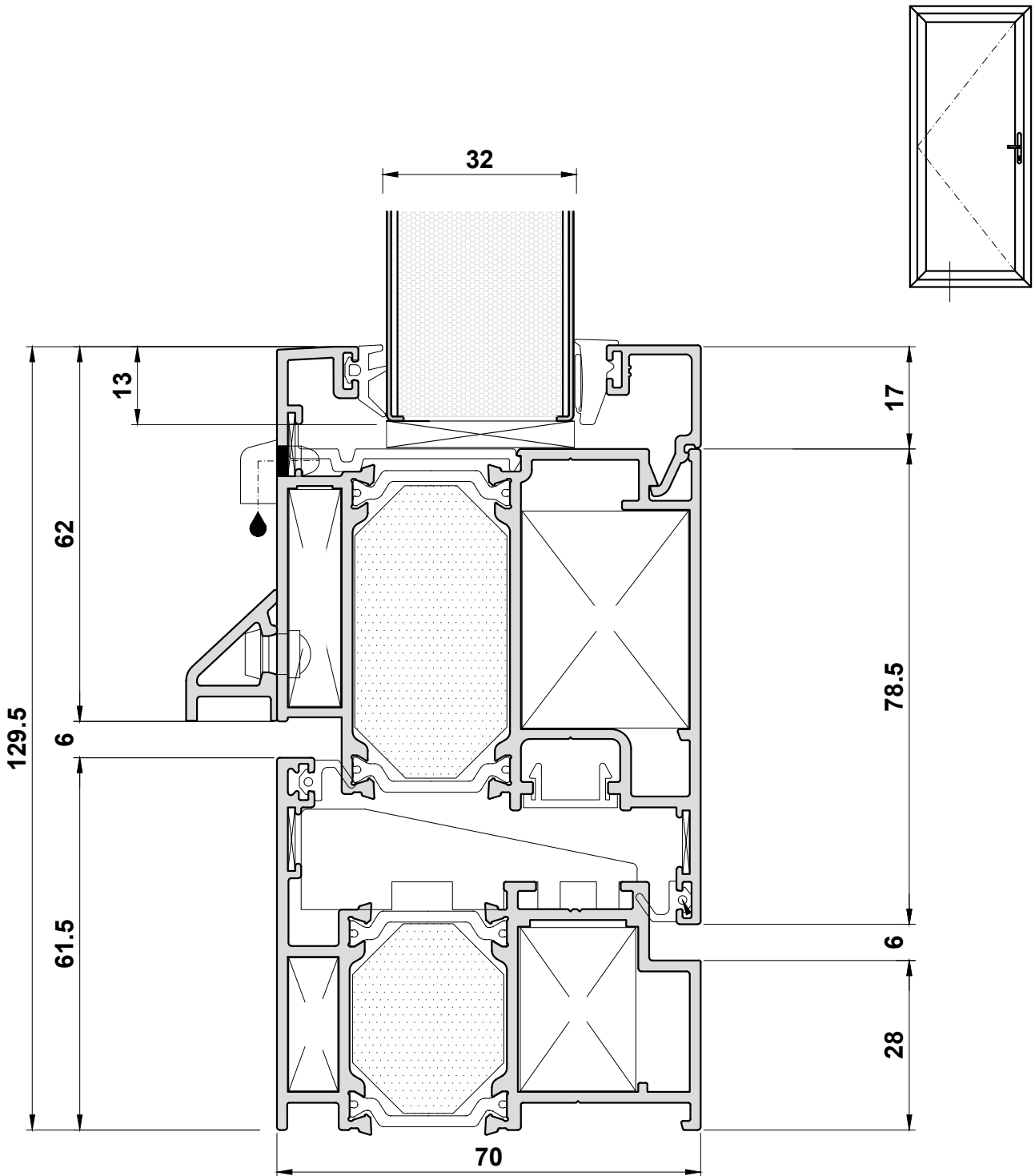


**MANUFACTURED
IN THE UK**



**ATLAS
DOORS**

Open In - Detail 1B - Standard Threshold



Version: 1-0223

020 3856 8332

sales@atlasdoors.co.uk

atlasdoors.co.uk

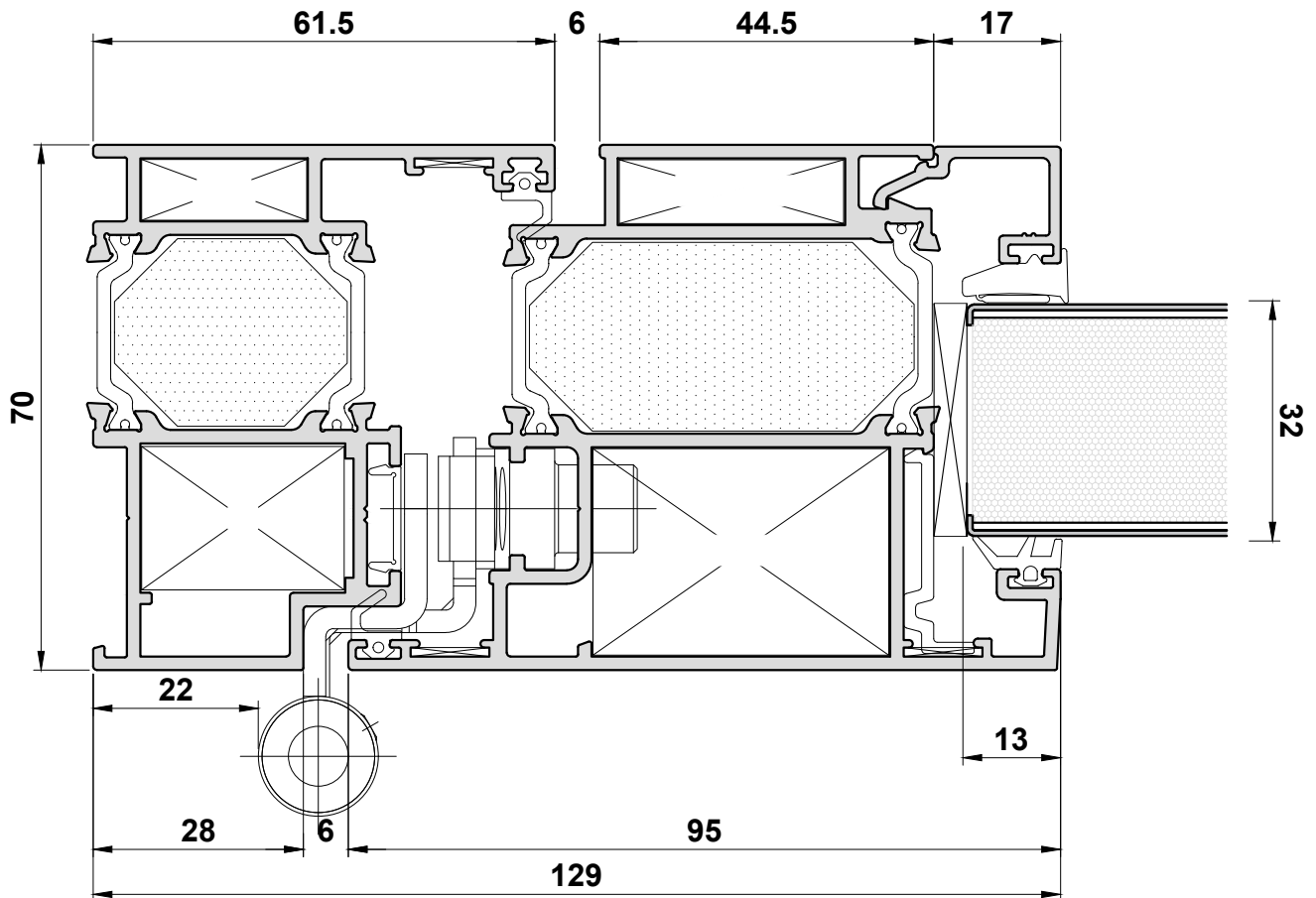
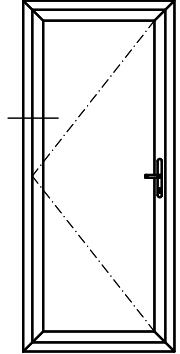


**MANUFACTURED
IN THE UK**



**ATLAS
DOORS**

Open Out - Detail 2B - Hinge Jamb Detail



Version: 1-0223

020 3856 8332

sales@atlasdoors.co.uk

atlasdoors.co.uk

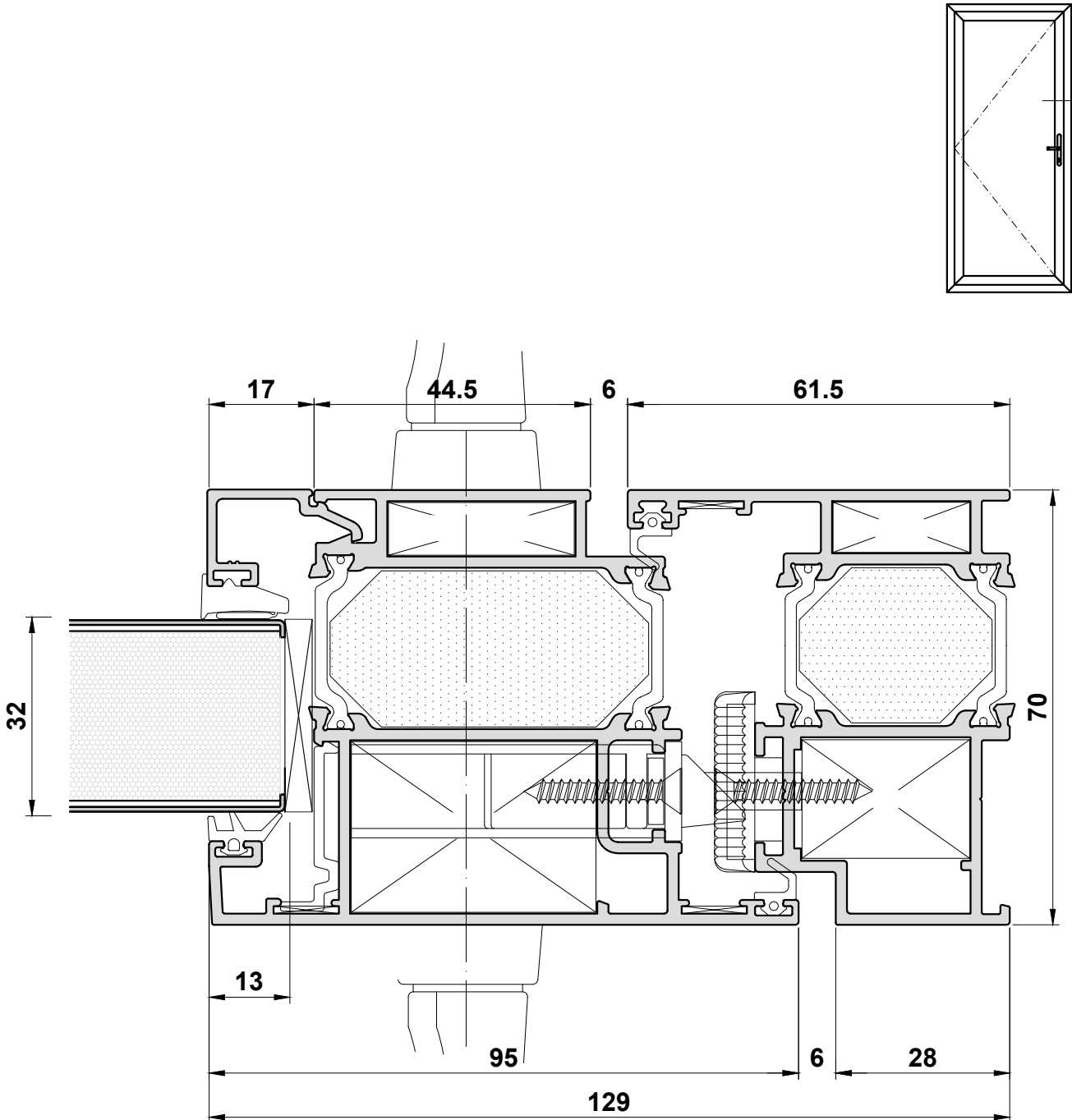


MANUFACTURED
IN THE UK



ATLAS
DOORS

Open Out - Detail 3 - Locking Jamb Detail



Version: 1-0223

020 3856 8332

sales@atlasdoors.co.uk

atlasdoors.co.uk

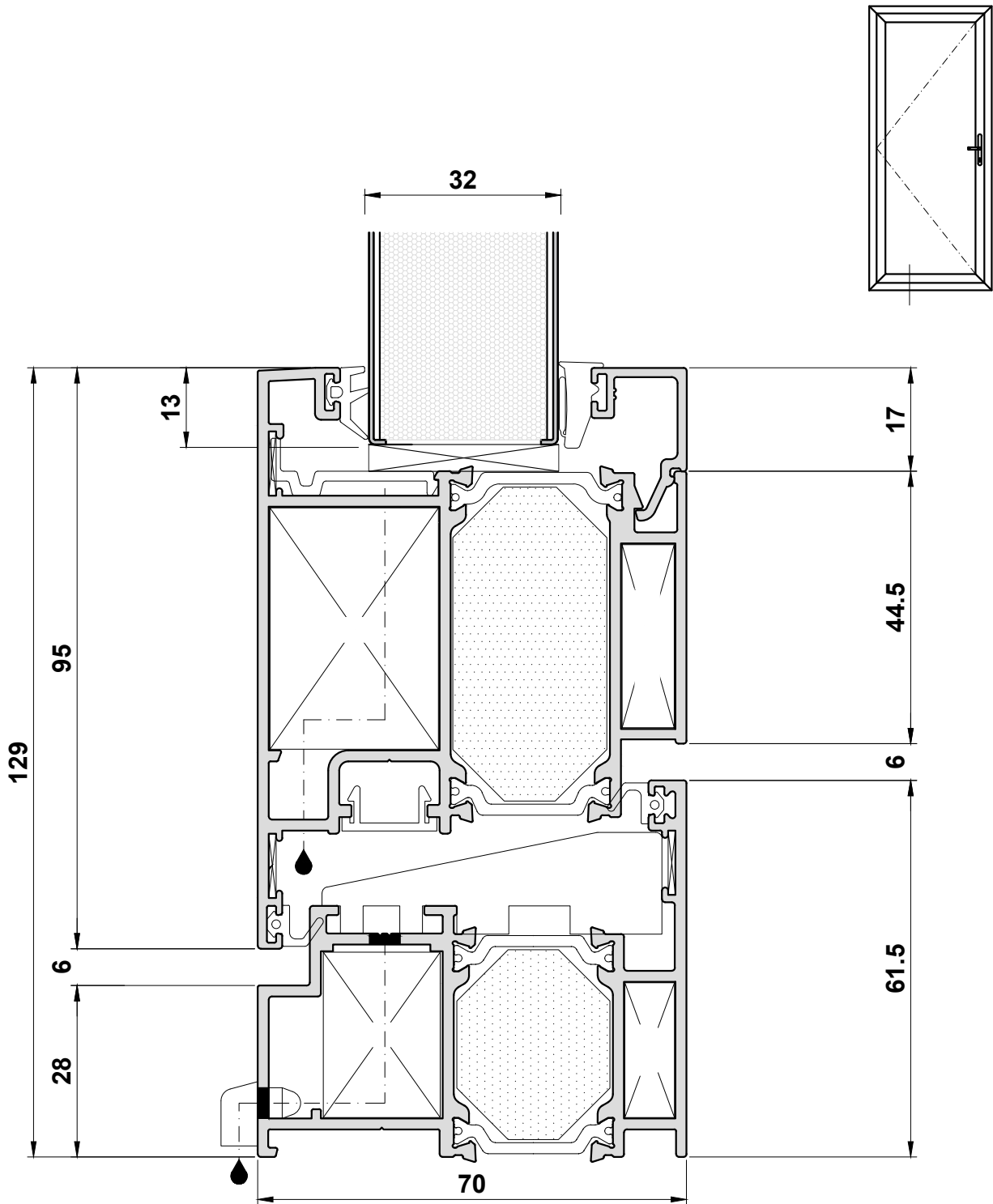


MANUFACTURED
IN THE UK



ATLAS
DOORS

Open Out - Detail 1C - Standard Threshold



Version: 1-0223

020 3856 8332

sales@atlasdoors.co.uk

atlasdoors.co.uk

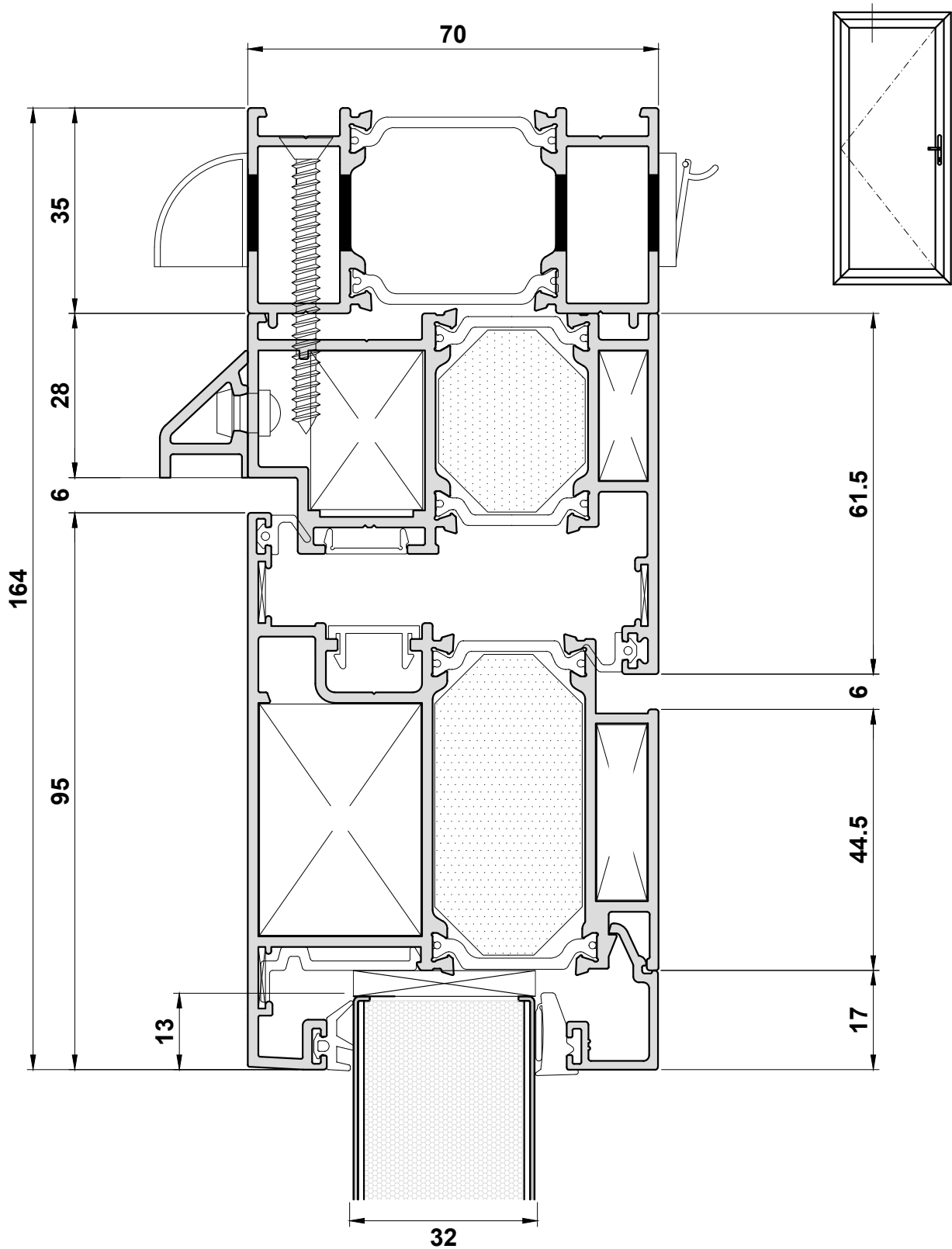


**MANUFACTURED
IN THE UK**



**ATLAS
DOORS**

Open Out - Detail 4 - Head Detail & 35mm Add-on with Trickle Vent



Version: 1-0223

020 3856 8332

sales@atlasdoors.co.uk

atlasdoors.co.uk

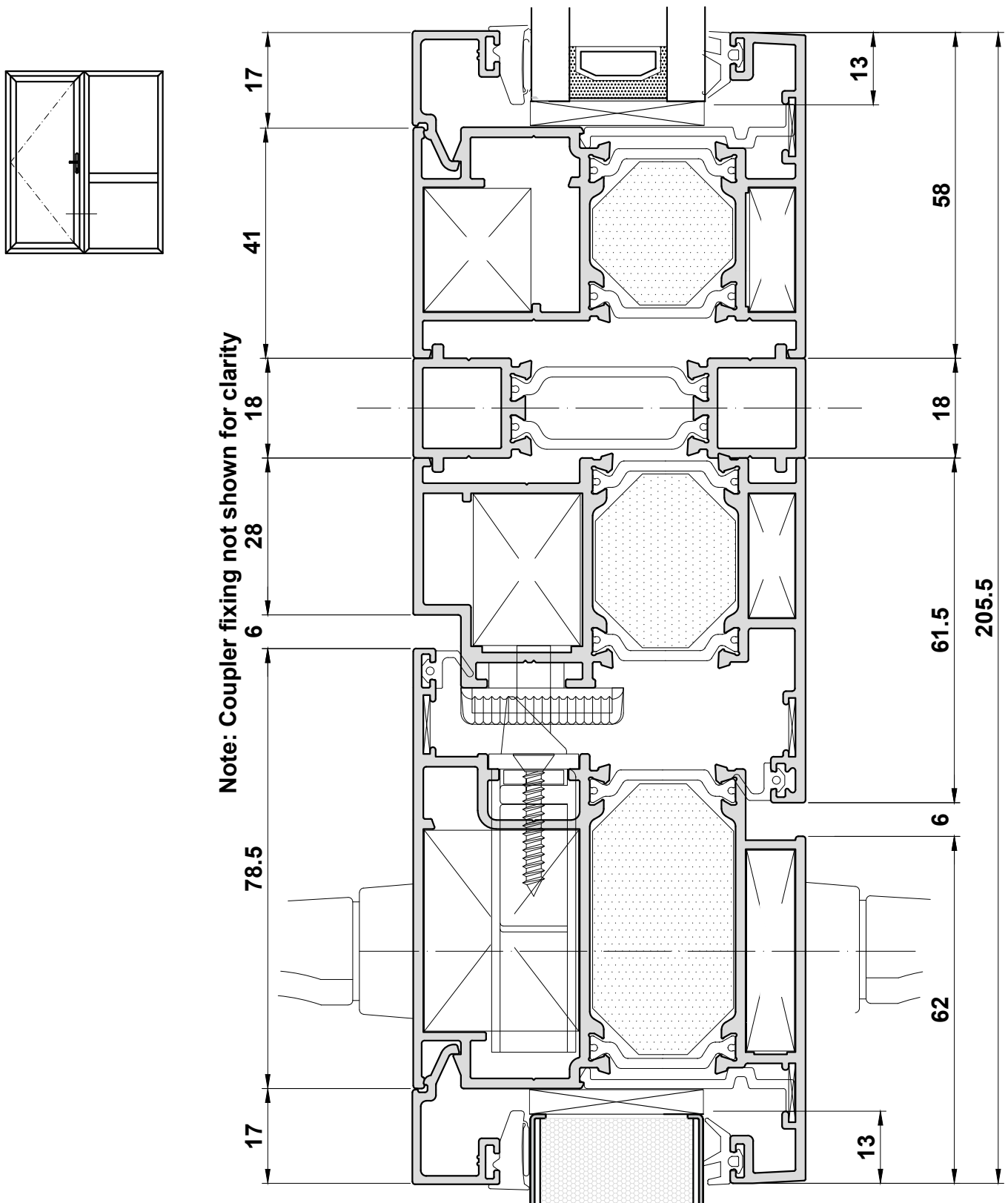


MANUFACTURED
IN THE UK



ATLAS
DOORS

Open Out - Detail 5A - Door to Window Coupler Detail



Version: 1-0223

020 3856 8332

sales@atlasdoors.co.uk

atlasdoors.co.uk

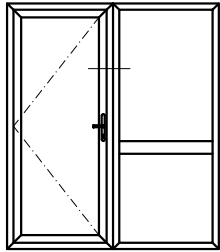


MANUFACTURED
IN THE UK

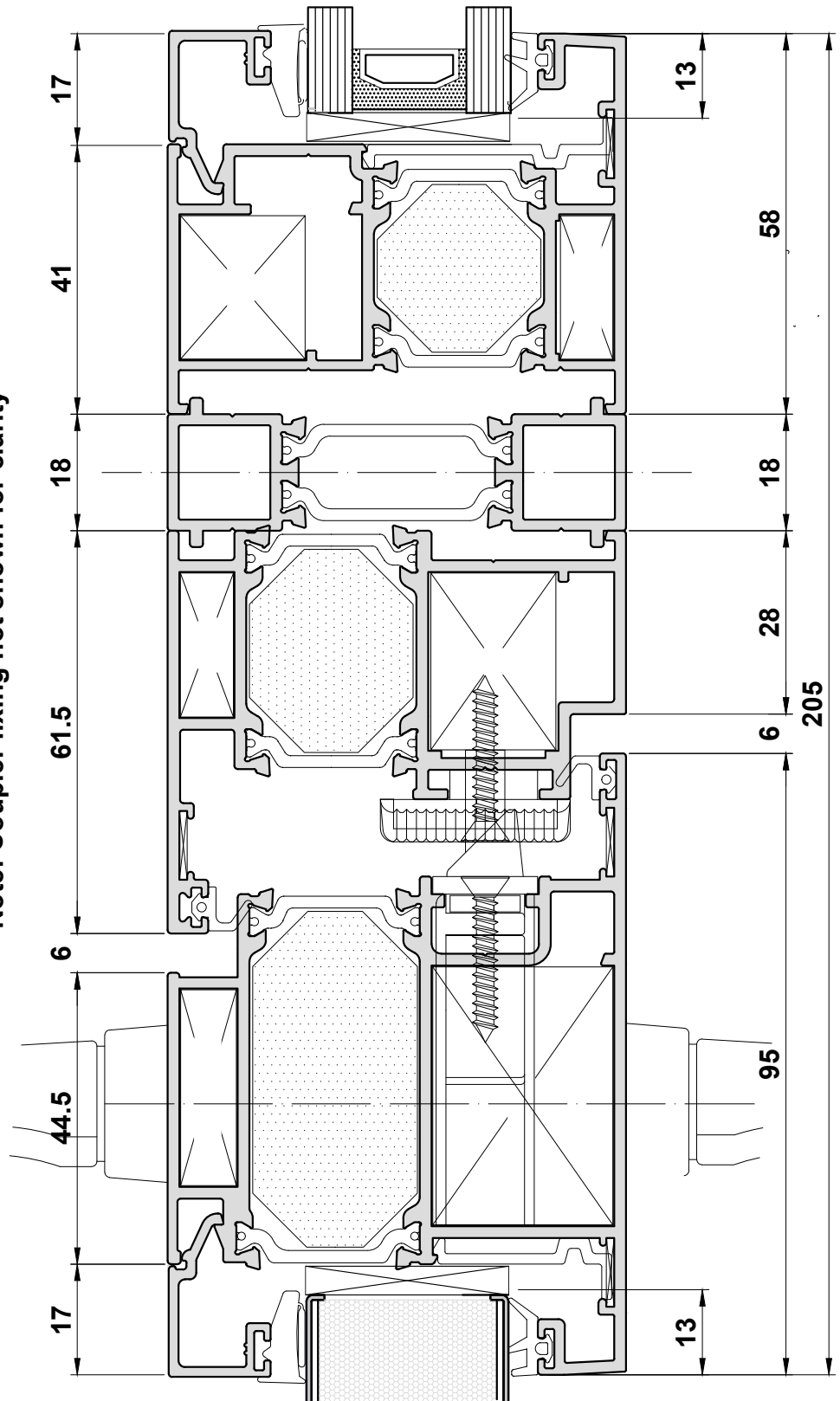


ATLAS
DOORS

Open In - Detail 5B - Door to Window Coupler Detail



Note: Coupler fixing not shown for clarity



Version: 1-0223

020 3856 8332

sales@atlasdoors.co.uk

atlasdoors.co.uk

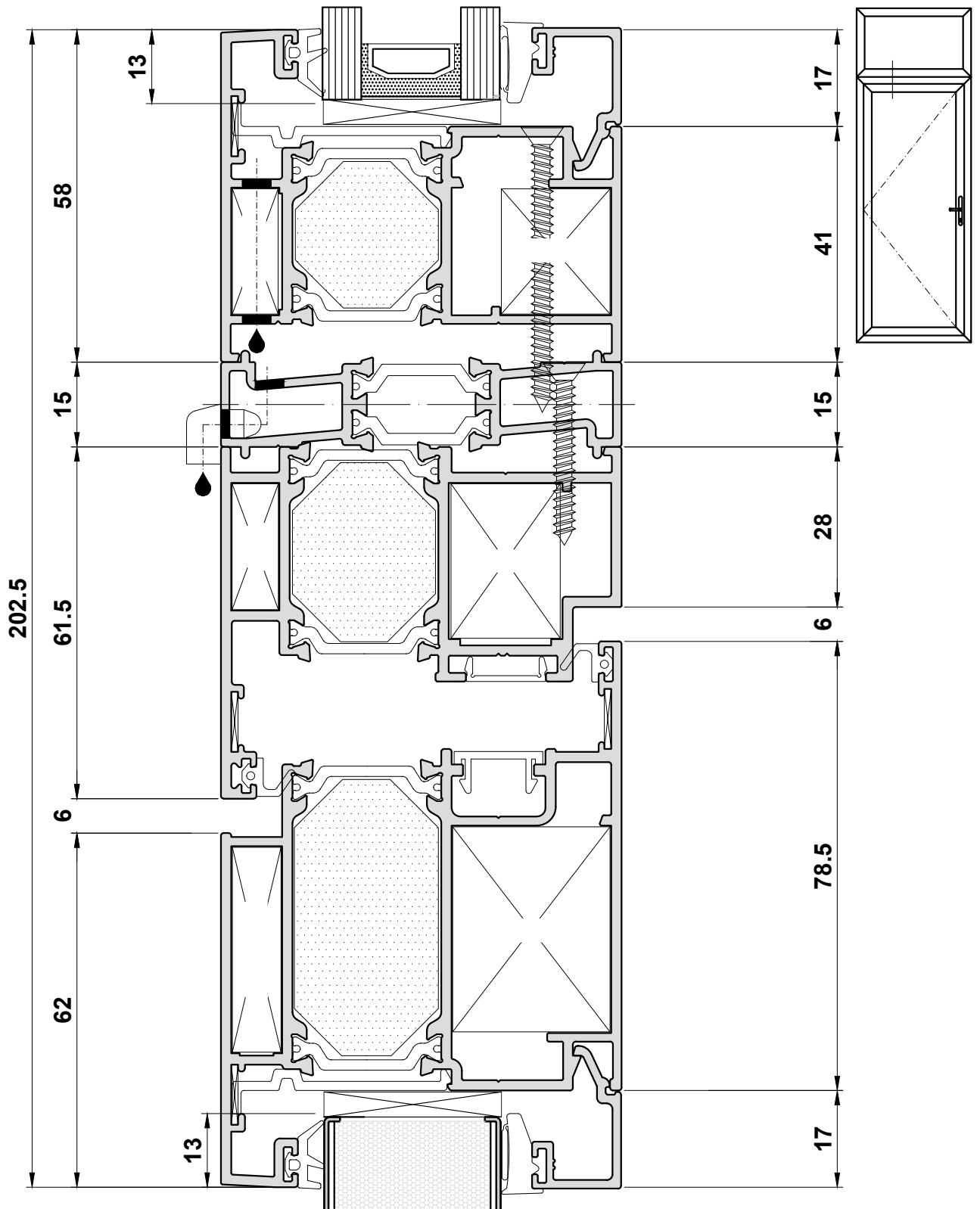


MANUFACTURED
IN THE UK



ATLAS
DOORS

Open In - Detail 6A - Top Light Coupler Detail



Version: 1-0223

020 3856 8332

sales@atlasdoors.co.uk

atlasdoors.co.uk

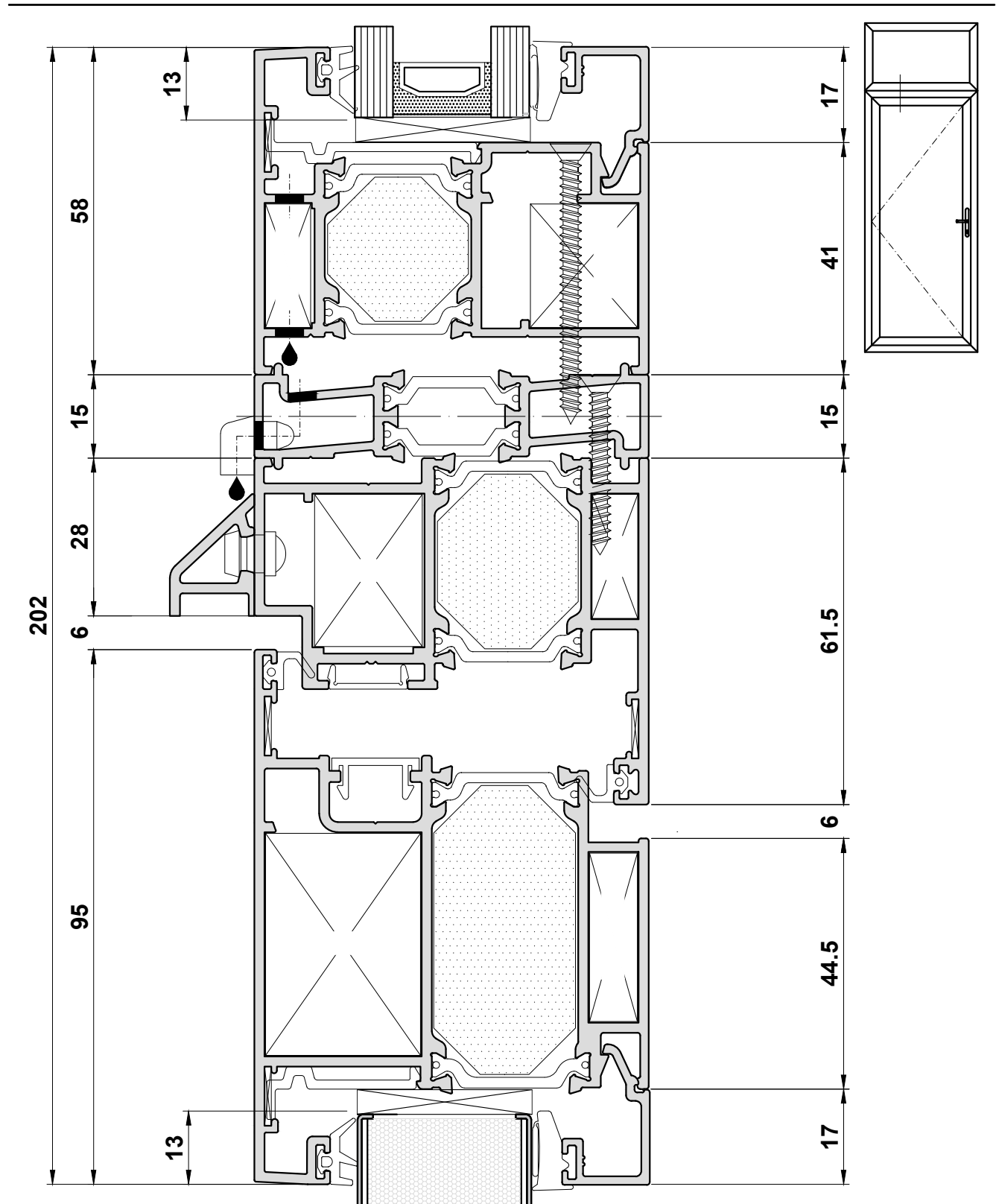


MANUFACTURED
IN THE UK



ATLAS
DOORS

Open Out - Detail 6B - Top Light Coupler Detail



Version: 1-0223

020 3856 8332

sales@atlasdoors.co.uk

atlasdoors.co.uk

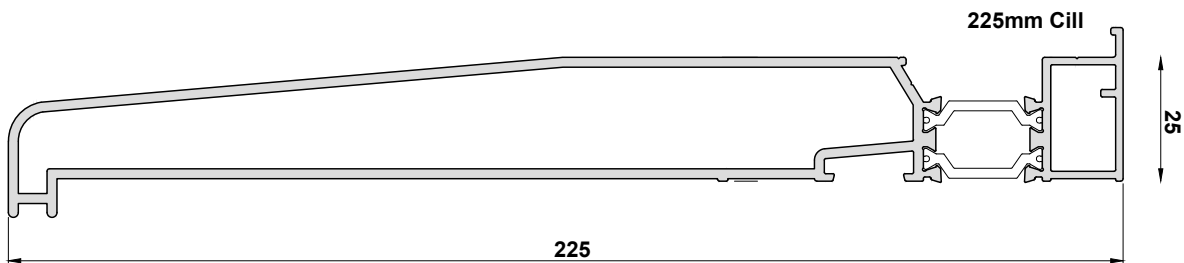
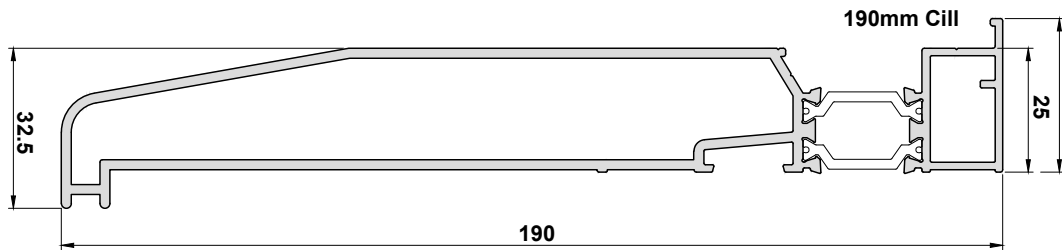
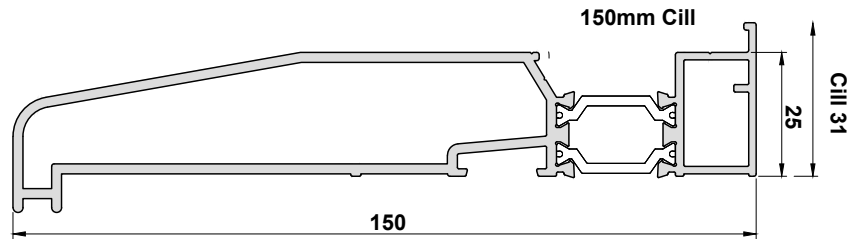
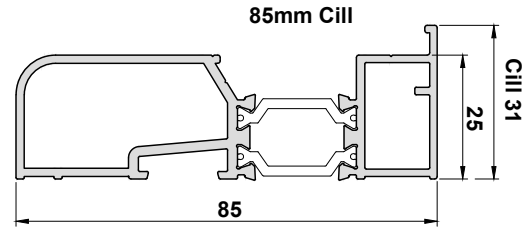


**MANUFACTURED
IN THE UK**



**ATLAS
DOORS**

Cill Options



Version: 1-0223

020 3856 8332

sales@atlasdoors.co.uk

atlasdoors.co.uk



**MANUFACTURED
IN THE UK**



**ATLAS
DOORS**



Cobham



Richmond



Westminster



Kingston



Knightsbridge



Mayfair

Our current door range...

Version: 1-0223

020 3856 8332

sales@atlasdoors.co.uk

atlasdoors.co.uk



**MANUFACTURED
IN THE UK**



**ATLAS
DOORS**

Highly Secure

Our aluminium front doors have multipoint locking systems as standard and have been tested to exceed the requirements of the PAS24 Standard.

Thermal Efficiency

Our Aluminium doors are equipped with an insulated door panel and polyamide thermal barrier, making them a superior choice to timber doors.

Construction

Constructed using 1.5mm powder coated aluminium sheets bonded to a Bre A+ Rated CFC Free Expanded Panel Polycore.

Bespoke Design

All Atlas products are tailor-made to your requirements by our highly skilled team.



**ATLAS
DOORS**

Secured by Design



Official Police Security Initiative



Version: 1-0223

020 3856 8332

sales@atlasdoors.co.uk

atlasdoors.co.uk